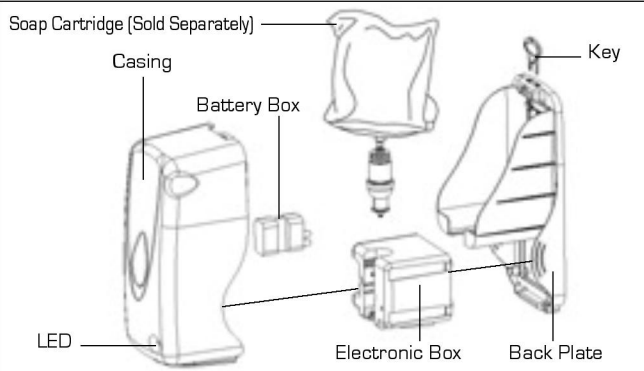


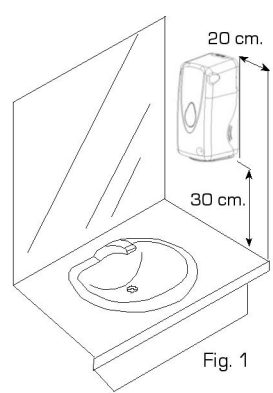
# Automatic Foam Dispenser Installation Instructions

## 1. Specifications

Dimensions	136W x 305H x 140D
Cartridge Capacity	1.500 ml.
Battery	[ AA 1.5V x 6 ] Alkaline
Detection Range	Automatic Adjustment
Room Temperature	5-40 degree C
Sensor Delay Time	0.5 - 1.5 sec.
Dispensed Soap Quantity per dose	0.4 ml.
Applicable Soap Type	Foam Formulation

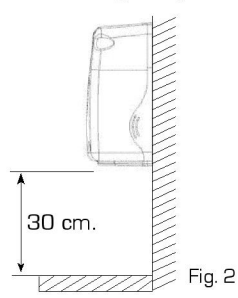


## 3. Installations Steps:



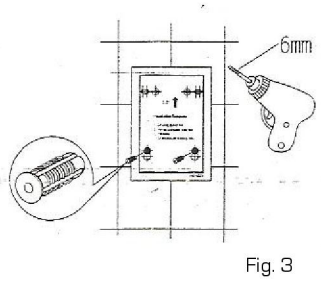
## 4. Before Installation

1. Note the distance between dispenser and end surface has to be at least >30 cm. (As shown in Fig. 1&2)

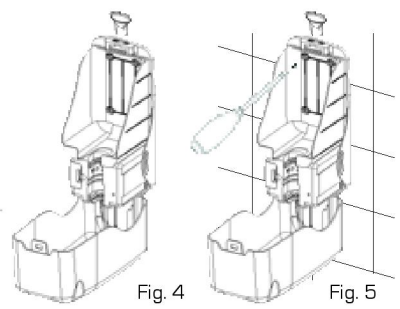


## 5. Installations Steps:

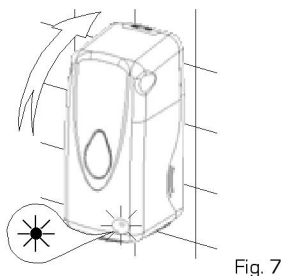
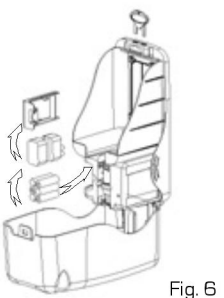
1. Drill four holes of 6mm of diameter. Place plastic plugs for holes made of diameter 6.



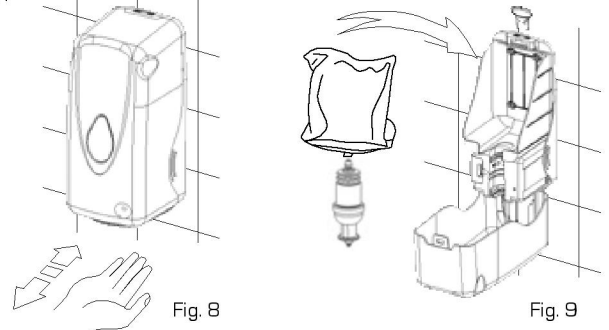
2. USE Key to unlock and remove the soap dispenser front case. (Fig.3) Insert four screws into plastic plugs, and screw in until it's well mounted. (Fig. 4)



3. Load 6 Alkaline AA 1.5v batteries into it. Put it back into the unit and close cover. LED should flash 4 times to indicate proper operation (fig. 6 & 7). (If LED does not stop flashing; this indicates an obstacle in the sensing range has occurred. Check system and re-close the cover.



4. Insert the refill inside the dispenser. Very important place the nozzle of the refill well positioned and adjusted. (Fig. 8 & 9)

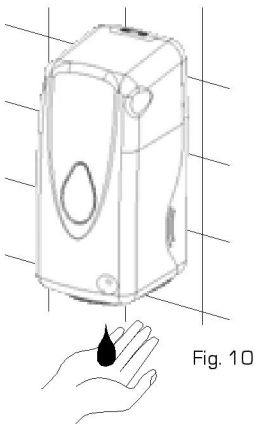


## 6. Operation Instructions

1. Put the palm of your hand below the dispenser. The sensor will activate and drop a dosage of soap. If you need more soap, repeat the movement a few times. (Fig. 10)

2. When the soap cartridge is empty, remove it directly & replace with a new one. (Fig. 9)

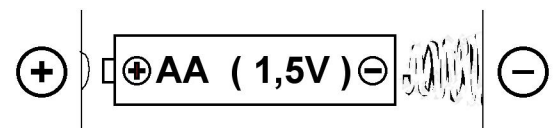
3. When batteries are low, LED will stay constantly on. The dispenser cannot operate at this time. Replace all 6 Alkaline AA batteries. Very important: Do not mix new batteries with old ones. (Fig. 6)



## 7. Maintenance Notes:

1. Ensure no bright light source is aimed or been reflected to the sensor system from below.

2. Use a soft moistened cloth to clean the surface. Avoid placing dispenser under running water; this will cause malfunctioning of the electronics.



Caution: Reverse battery polarities will lead to permanent damage to the dispenser.

## 8. Problem Solution:

Problem	Solution
LED does not light up	- Check batteries, ensure they are new and properly inserted. - Check sensor cover for stain. Clean unit properly.
LED flashes when unit is not being used	- Sensor is activated constantly. Remove the object below the sensor. - The dispenser is out of order, contact distributor for assistance.

For all other inquiries call your dealer for technical assistance.